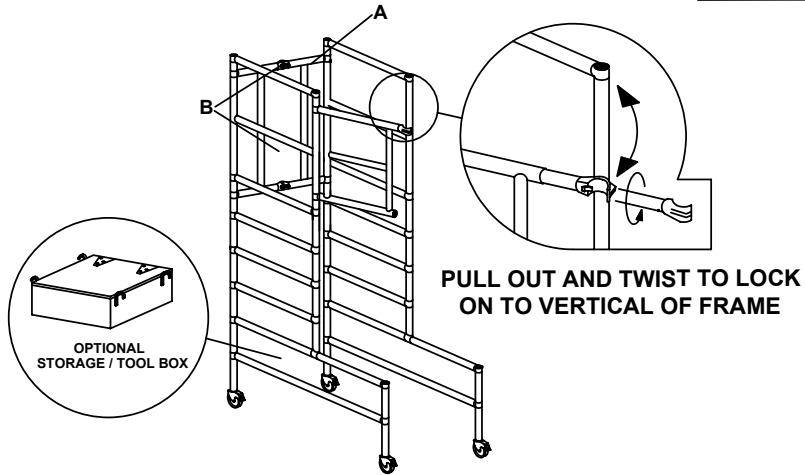
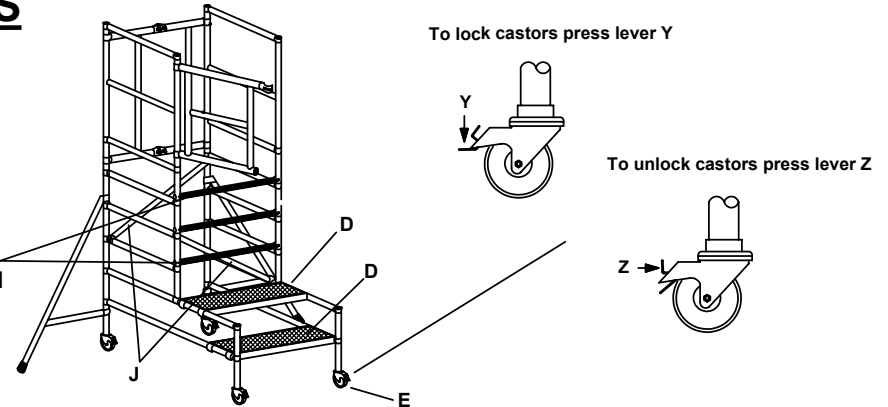


# MKIII PODIUM STEPS



PULL OUT AND TWIST TO LOCK ON TO VERTICAL OF FRAME

FIT CLIMBING RUNG STEP WITH HOOKS RESTING ON SIDE RUNGS FACING DOWNWARD.



To lock castors press lever Y

To unlock castors press lever Z

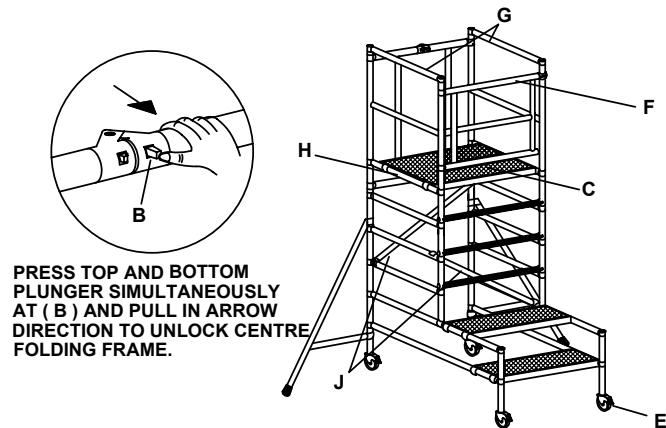
1) OPEN STEPS UNTIL FOLDING FRAME ( A ) MECHANISMS LOCK AUTOMATICALLY AT ( B ).

2) IF TOOL BOX BEING USED FIT NOW ON APPROPRIATE RUNG.

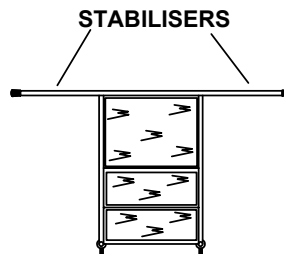
- 3) FIT SMALL PLATFORMS ( D ) TO FORM STEPS UP TO THE TOP PLATFORM. ENSURE THE LOCKING MECHANISMS OF THE HOOKS ARE FITTED CORRECTLY. ALSO FIT THE CLIMBING RUNG STEPS AS SHOWN.
- 4) FIT DIAGONAL BRACES ( J ) AS SHOWN. PUSH UNIT INTO POSITION WITH FOLDING FRAME ( A ) FACING WORK, REST ON A FIRM AND LEVEL BASE. AT THIS POINT FIT STABILISERS TO VERTICALS AS SHOWN.
- 5) BEWARE OF ANY OVERHEAD HAZARDS NEAR WHERE YOU ARE GOING TO WORK.

## ADDITIONAL USER NOTES

- a) BEFORE STANDING ON DECK LOCK ALL CASTORS ( E ). AND FIT STABILISERS.
- b) WHEN STANDING ON WORK PLATFORM SWING GUARDRAIL GATE ( F ) INTO POSITION AND LOCK BEHIND YOU.
- c) TO MOVE UNIT UNLOCK GATE, DISMOUNT AND RAISE STABILISERS 12 MM OFF THE FLOOR. UNLOCK CASTORS AND PUSH INTO PLACE. REPEAT PROCEDURES a ) & b ) .
- d) SAFE WORKING LOAD ON WORK PLATFORM 150Kg OR ONE MAN PLUS HAND TOOLS.
- e) DO NOT OVER REACH WHEN WORKING ON PLATFORM. AND LIMIT HORIZONTAL FORCE TO 10Kg ( 22 lb ) WORK ONLY AT A COMFORTABLE ARMS LENGTH.
- f) DO NOT, UNDER ANY CIRCUMSTANCES, MOVE UNIT WITH ANYONE ON IT.
- g) NEVER PUT ANYTHING ON THE PLATFORMS TO GAIN EXTRA HEIGHT, STAND ON THE WORK PLATFORM ONLY.
- h) NEVER USE DAMAGED OR INCOMPATIBLE EQUIPMENT.
- i) IF IN DOUBT ABOUT ANY APPLICATION DO NOT GUESS CONSULT YOUR SUPPLIER.



PRESS TOP AND BOTTOM PLUNGER SIMULTANEOUSLY AT ( B ) AND PULL IN ARROW DIRECTION TO UNLOCK CENTRE FOLDING FRAME.



FIT STABILISERS TO BACK VERTICALS IN LINE WITH FOLDING BACK FRAME.

6) LOWER STABILISERS TO FLOOR AND CLAMP ON TO VERTICAL.

7) FIT WORK PLATFORM ( C ) AT REQUIRED RUNG HEIGHT.

8) RUNG ( H ) IS THE HIGHEST RUNG LEVEL AT WHICH ANY PLATFORM SHOULD BE USED, NEVER USE PLATFORMS OR STAND AT RUNG ( G ) OR LEVEL ( K )