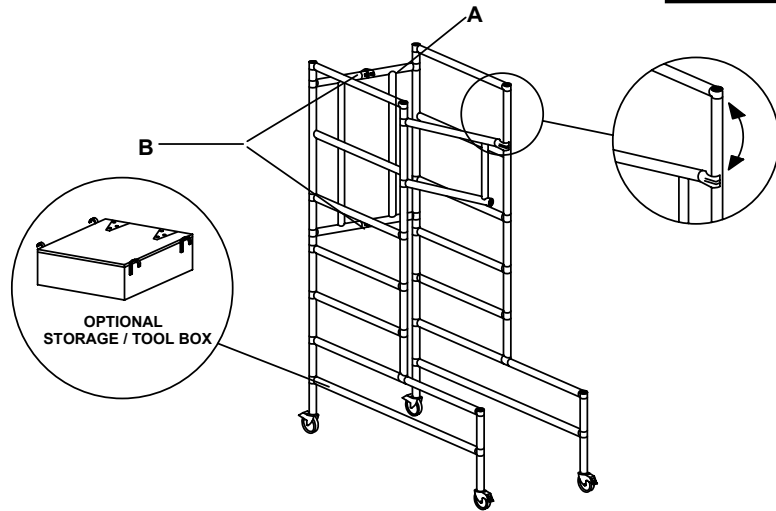
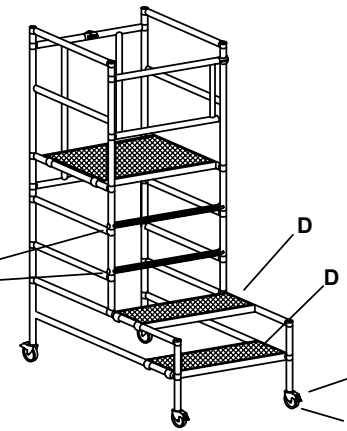


MKII PODIUM STEPS

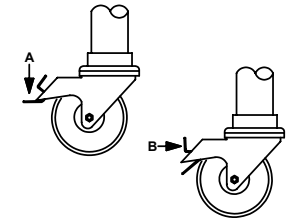


- 1) OPEN STEPS UNTIL FOLDING FRAME (A) MECHANISMS LOCK AUTOMATICALLY AT (B).
- 2) IF TOOL BOX BEING USED FIT NOW ON APPROPRIATE RUNG.

FIT RUNG STEP BRACES WITH HOOKS RESTING ON SIDE RUNGS FACING OUTWARD.



To lock castors press lever A

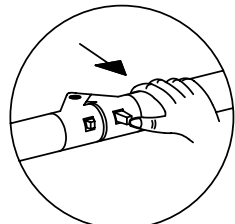


To unlock castors press lever B

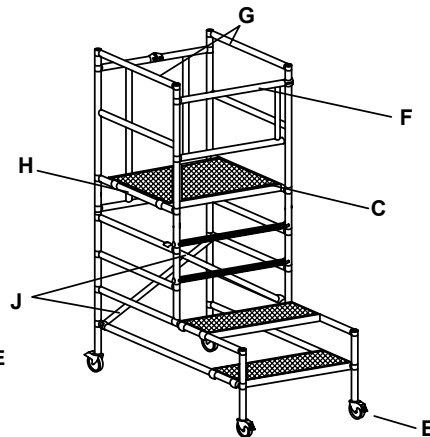
- 3) FIT SMALL PLATFORMS (D) TO FORM STEPS UP TO THE TOP PLATFORM. ENSURE THE LOCKING MECHANISMS OF THE HOOKS ARE FITTED CORRECTLY. ALSO FIT THE RUNG STEP BRACES AS SHOWN.

ADDITIONAL USER NOTES

- 6) PUSH UNIT INTO POSITION WITH FOLDING FRAME (A) FACING WORK, REST ON A FIRM AND LEVEL BASE. BEWARE OF ANY OVERHEAD HAZARDS NEAR WHERE YOU ARE GOING TO WORK.
- 7) WHEN STANDING ON WORK PLATFORM SWING GUARDRAIL GATE (F) INTO POSITION AND LOCK BEHIND YOU.
- 8) TO MOVE UNIT UNLOCK GATE AND DISMOUNT, UNLOCK CASTORS AND REPEAT PROCEDURES 6 & 7.
- 9) SAFE WORKING LOAD ON WORK PLATFORM 150Kg OR ONE MAN PLUS HAND TOOLS.
- 10) DO NOT OVER REACH WHEN WORKING ON PLATFORM. AND LIMIT HORIZONTAL FORCE TO 10Kg (22 lb) WORK ONLY AT A COMFORTABLE ARMS LENGTH.
- 11) DO NOT, UNDER ANY CIRCUMSTANCES, MOVE UNIT WITH ANYONE ON IT.
- 12) NEVER PUT ANYTHING ON THE PLATFORMS TO GAIN EXTRA HEIGHT, STAND ON THE WORK PLATFORM ONLY.
- 13) NEVER USE DAMAGED OR INCOMPATIBLE EQUIPMENT.
- 14) IF IN DOUBT ABOUT ANY APPLICATION DO NOT GUESS CONSULT YOUR SUPPLIER.
- 15) SEE OVERLEAF FOR CHECKLIST.



PRESS TOP AND BOTTOM PLUNGER SIMULTANEOUSLY AT (B) AND PULL IN ARROW DIRECTION TO UNLOCK CENTRE FOLDING FRAME.



- 4) FIT WORK PLATFORM (C) AT REQUIRED RUNG HEIGHT.
- 5) RUNG (H) IS THE HIGHEST RUNG LEVEL AT WHICH ANY PLATFORM SHOULD BE USED, NEVER USE PLATFORMS OR STAND AT RUNG (G).FIT DIAGONALS (J) NOW AT THE REAR OF THE UNIT.