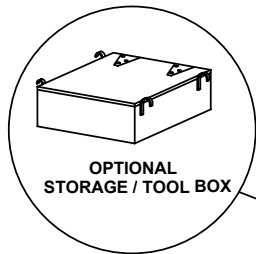
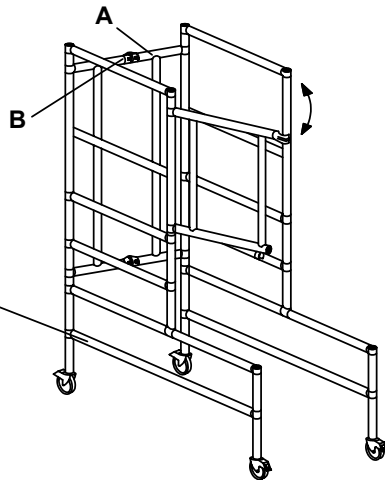


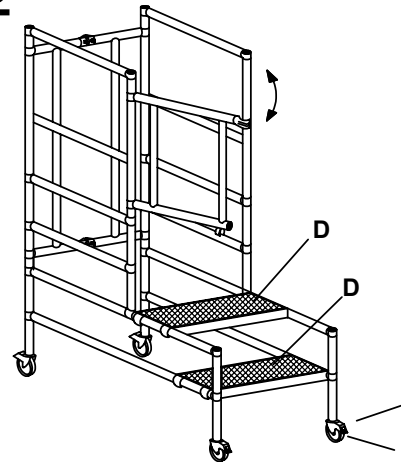
PODIUM STEPS™



OPTIONAL STORAGE / TOOL BOX

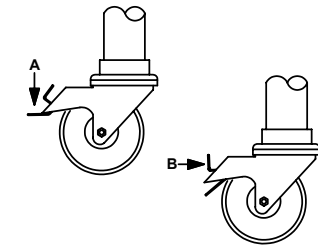


- 1) OPEN STEPS UNTIL FOLDING FRAME (A) MECHANISMS LOCK AUTOMATICALLY AT (B)
- 2) IF TOOL BOX BEING USED FIT NOW ON APPROPRIATE RUNG.

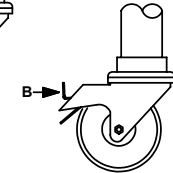


- 3) FIT SMALL PLATFORMS (D) TO FORM STEPS UP TO THE TOP PLATFORM. ENSURE THE LOCKING MECHANISMS OF THE HOOKS HAVE ENGAGED.

To lock castors press lever A

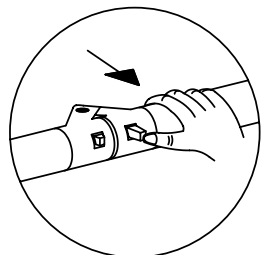
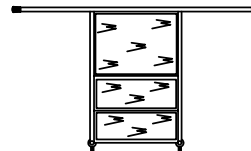


To unlock castors press lever B

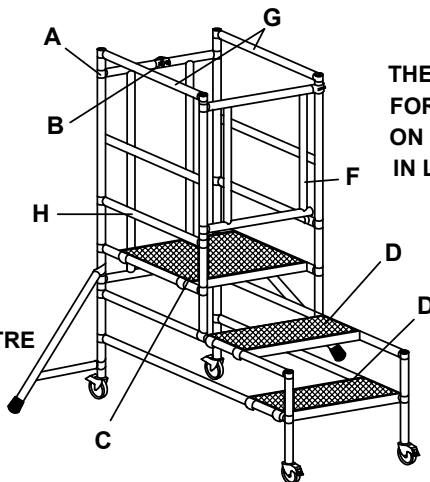


SPECIAL NOTE

THERE MAY SOMETIMES BE A REQUIREMENT FOR STABILISERS TO BE FITTED, IF SO, FIT ON TO BACK VERTICALS AS SHOWN, TO BE IN LINE WITH FOLDING BACK FRAME.



PRESS TOP AND BOTTOM PLUNGER SIMULTANEOUSLY AT (B) AND PULL IN ARROW DIRECTION TO UNLOCK CENTRE FOLDING FRAME.



- 4) FIT WORK PLATFORM (C) AT REQUIRED RUNG HEIGHT.
- 5) BY PLACING THE PLATFORM ON RUNG (H) THE HANDRAIL HEIGHT ABOVE THE PLATFORM WILL BE LESS THAN THE CURRENT HEIGHTS REQUIREMENTS. BEFORE WORKING AT THIS HEIGHT, ALL USERS MUST CARRY OUT A RISK ASSESSMENT TO SATISFY THEMSELVES AS TO THE RISK OF FALLS FROM HEIGHT WHILST USING PODIUM STEPS IN THIS MANNER AND ADVISE ALL OPERATIVES WHO MOUNT THE STEPS, TO ADOPT EXTREME CARE WHILST ON THE STEPS.

ADDITIONAL USER NOTES

- 6) PUSH UNIT INTO POSITION WITH FOLDING FRAME (A) FACING WORK, REST ON A FIRM AND LEVEL BASE. BEWARE OF ANY OVERHEAD HAZARDS NEAR WHERE YOU ARE GOING TO WORK.
- 7) WHEN STANDING ON WORK PLATFORM SWING GUARDRAIL GATE (F) INTO POSITION AND LOCK BEHIND YOU. ENSURE THAT THE HOOK IS LOCATED ABOVE THE LOCATING PIN ON THE VERTICAL TUBE.
- 8) TO MOVE UNIT UNLOCK GATE, ALLOW TO DROP AND PARK CLIP ON SIDE FRAME (H). DISMOUNT, UNLOCK CASTORS AND REPEAT PROCEDURES 6 & 7.
- 9) SAFE WORKING LOAD ON WORK PLATFORM 150Kg OR (ONE MAN PLUS HAND TOOLS).
- 10) DO NOT OVERREACH WHEN WORKING ON PLATFORM. WORK ONLY AT A COMFORTABLE ARMS LENGTH.
- 11) DO NOT, UNDER ANY CIRCUMSTANCES, MOVE UNIT WITH ANYONE ON IT.
- 12) NEVER PUT ANYTHING ON THE PLATFORMS TO GAIN EXTRA HEIGHT, STAND ON THE WORK PLATFORM ONLY.
- 13) IF IN DOUBT ABOUT ANY APPLICATION DO NOT GUESS CONSULT YOUR SUPPLIER.
- 14) SEE OVERLEAF FOR SAFETY CHECKLIST