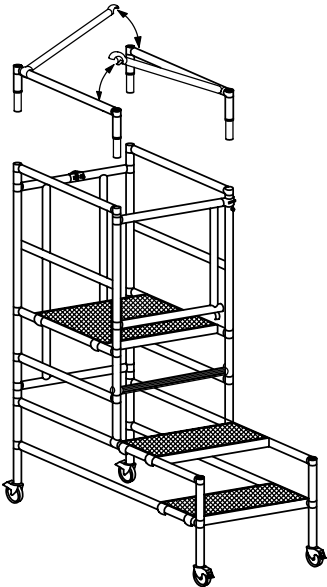
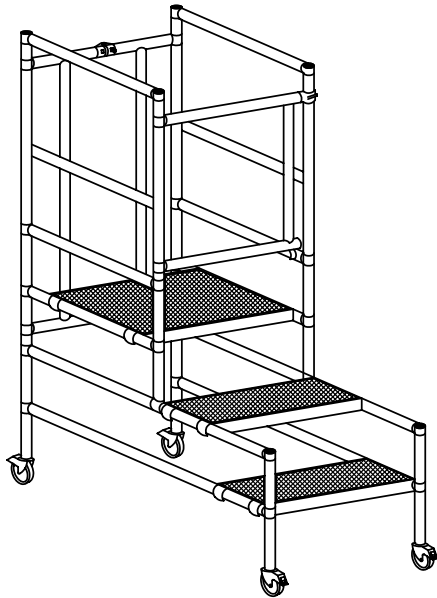
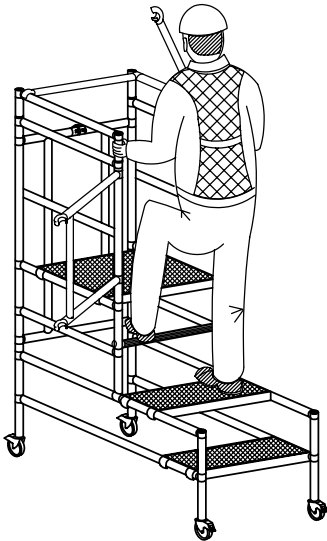


MK1 PODIUM ASSEMBLY GUIDE

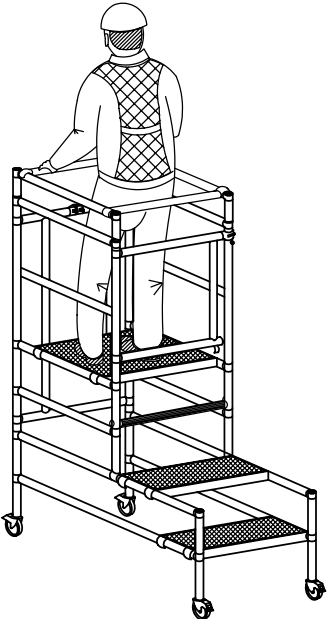
**BEFORE WORKING ON FOURTH RUNG
FIT ADAPTION KIT**



CLIMB UP ON TO THE PLATFORM USING STEPS AND CLIMBING RUNG. TO DESCEND CLIMB DOWN AS SHOWN ABOVE .



FIT ADAPTION KIT TO TOP OF FRAME ENSURING THAT THE CLIP PINS ENGAGE IN THE HOLES OF THE SPIGOTS. ALSO FIT CLIMBING RUNG.



WHEN ON THE PLATFORM ENSURE SWINGING BRACES ARE FITTED CORRECTLY AS SHOWN , AND GATE IS ALSO CLOSED. ALWAYS WORK WITH THE FOLDING FRAME FACING WORK.

**NOTE : - OPTIONAL STABILISERS NOT SHOWN
SEE OVERLEAF FOR FITTING INSTRUCTIONS**

**PODIUM SAFETY CHECKLIST
TO BE CARRIED OUT AT LEAST ONCE A WEEK**

CHECKLIST DESCRIPTION	DATE	CHECKED BY
CHECK CASTORS ARE FIRMLY FIXED AND LOCKING MECHANISMS ARE FUNCTIONING CORRECTLY, IF NOT, ADJUST TO SUIT.		
CHECK STEP HOOK MECHANISMS ARE LOCKING CORRECTLY DECKING SHOULD BE CHECKED FOR DAMAGE AND FREE OF ANY MATERIAL LIKELY TO CAUSE SLIPPING ie OIL etc.		
CHECK PIVOT BOLTS ARE SECURE AND ALLOW FREE MOVEMENT		
TEST CENTRE LOCKING MECHANISMS ARE FUNCTIONING CORRECTLY		
TEST GATE FOR MOVEMENT AND LOCKING ON VERTICAL ABOVE PIN		
CHECK ALL WELDS FOR CRACKS AND TUBE DAMAGE		
CHECK ALL LABELS ARE FIXED AND READABLE.		
CHECK THAT ERECTED STEPS ARE USED ON A LEVEL SURFACE.		
CHECK FOR CORRECT POSITIONING OF PLATFORM (AND ADAPTION KIT)		